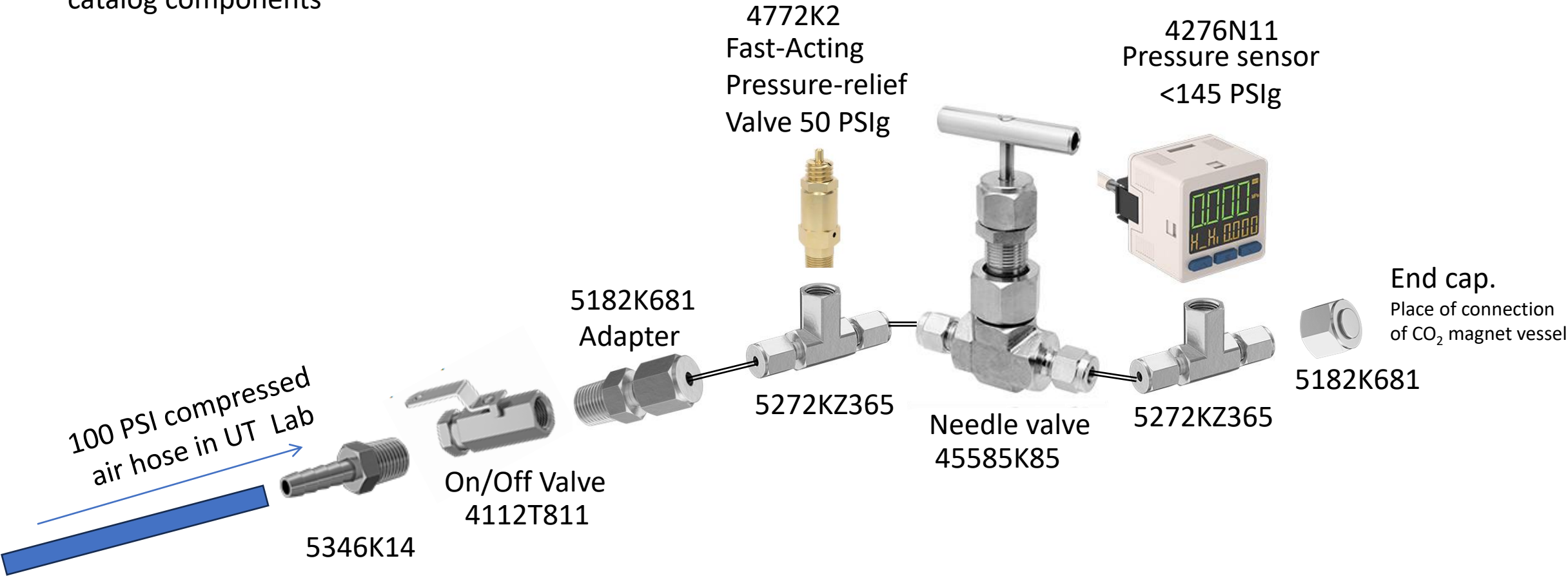


Pressure system development update

YK and Shaun Vavra

Gas leak test system at UT

All numbers are McMaster-Carr catalog components



Elements connected by pure copper 1/8" tube 8965K22

Update 10/19/2023 0.5L volume is added.

